



PROTECT

combined with active carbon



698710

FH406



CA

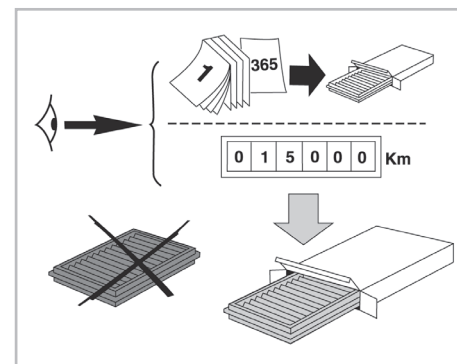
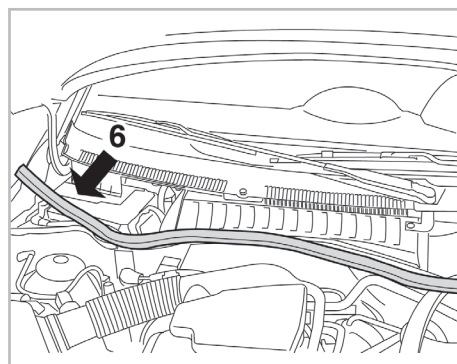
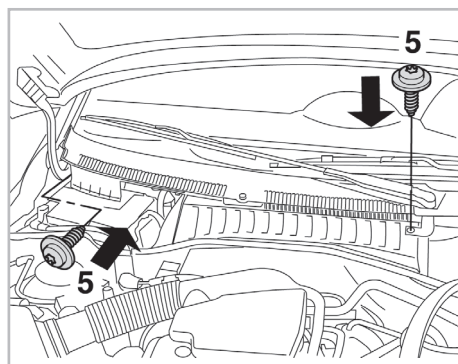
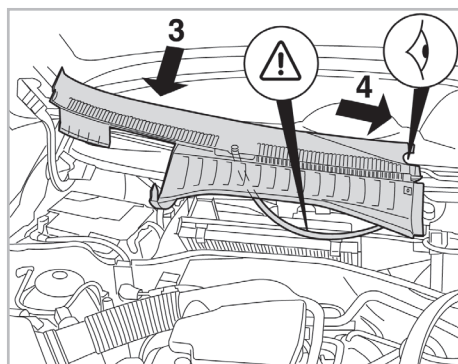
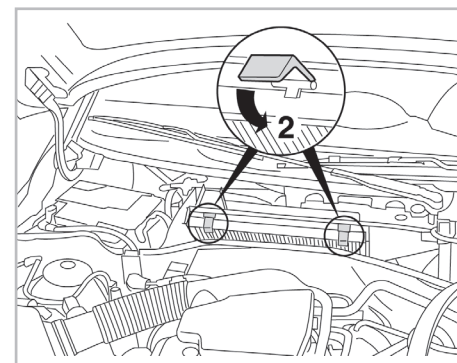
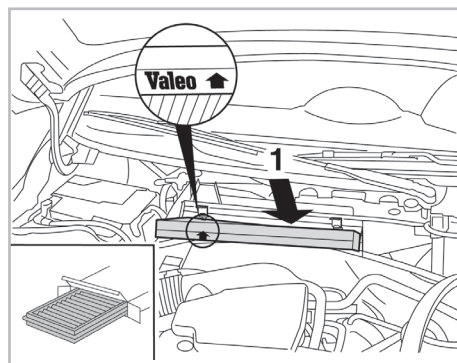
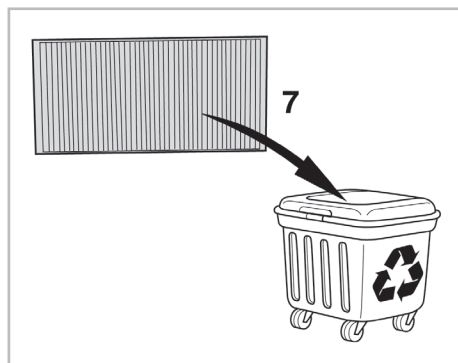
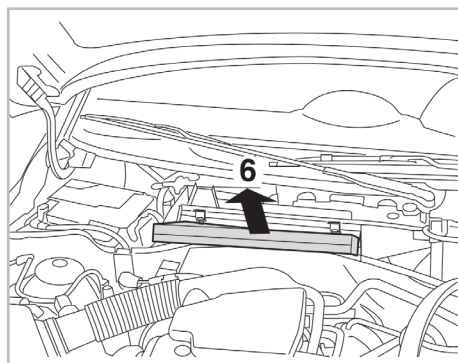
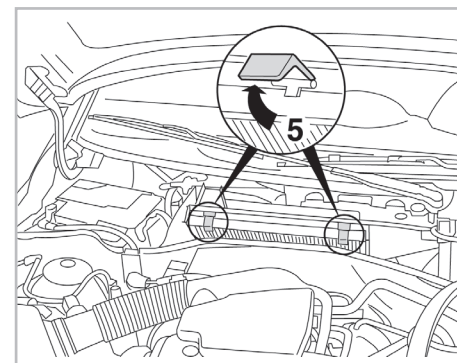
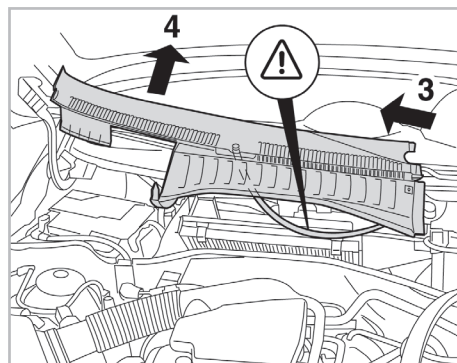
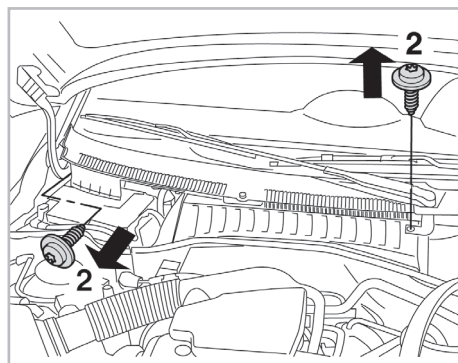
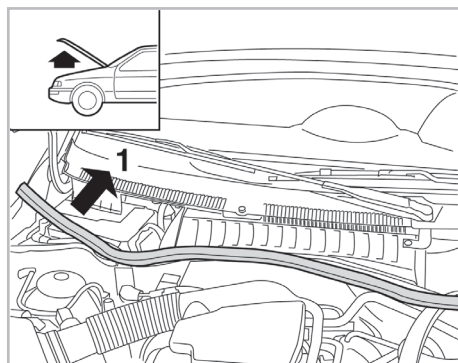
WANT TO KNOW MORE?



www.valeo-techassist.com

FOR
OPEL

CORSA C A+ (09/00 > 08/03) / VECTRA C A/C+/- (04/02 >)



Valeo Service - Société par Actions Simplifiée - Capital de 12 900 000 € - 70, rue Playel, 93285 Saint-Denis Cedex - France - B 306 486 408 RCS Bobigny



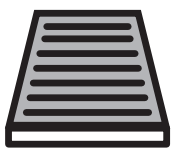
PROTECT

combined with active carbon



698710

FH406



CA

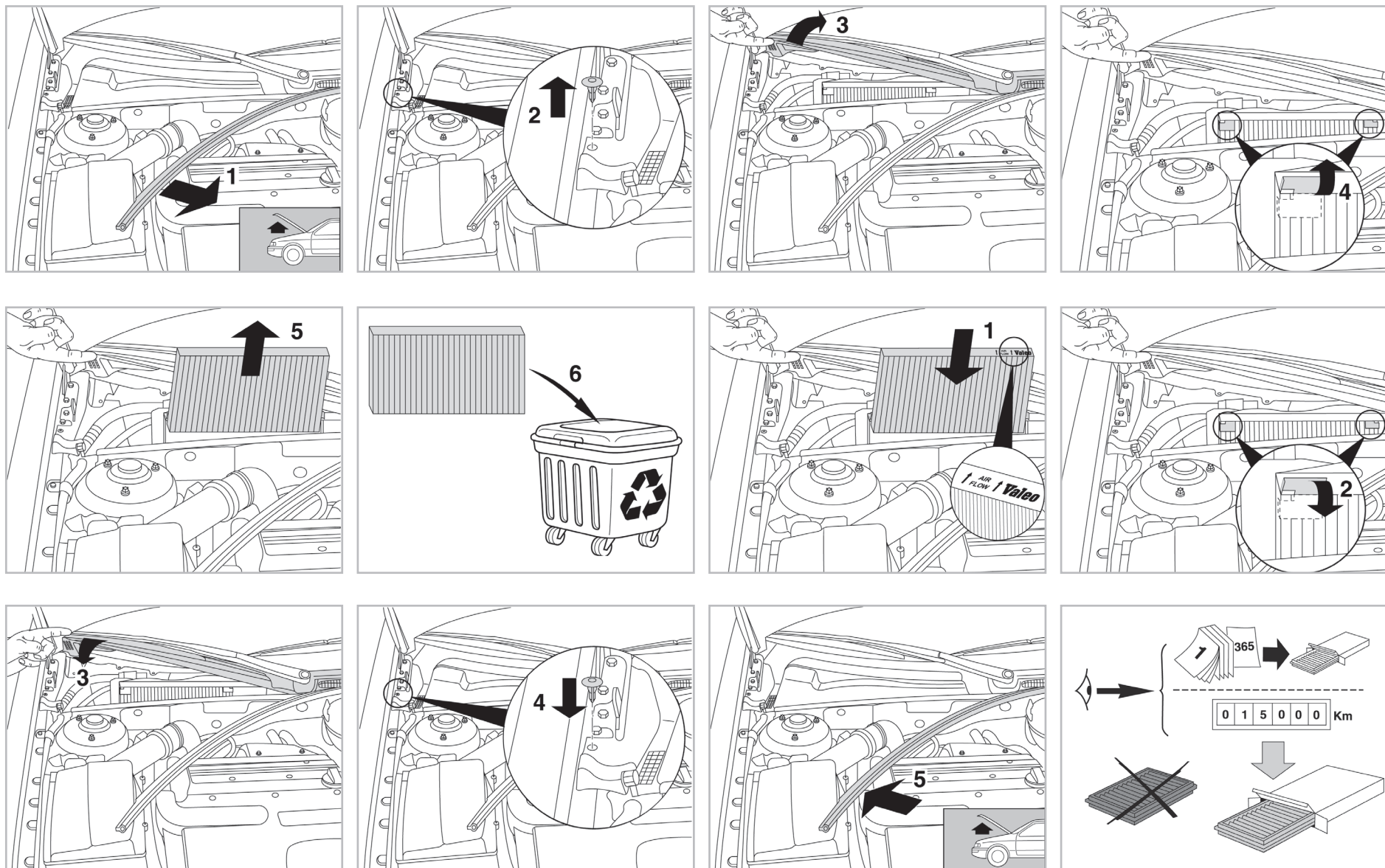
WANT TO KNOW MORE?



www.valeo-techassist.com

FOR SAAB

9-3 A/C+/- (09/02 >)



Valeo Service - Société par Actions simplifiée - Capital de 12 900 000 € - 70, rue Playel, 93285 Saint-Denis Cedex - France - B 306 486 408 RCS Bobigny